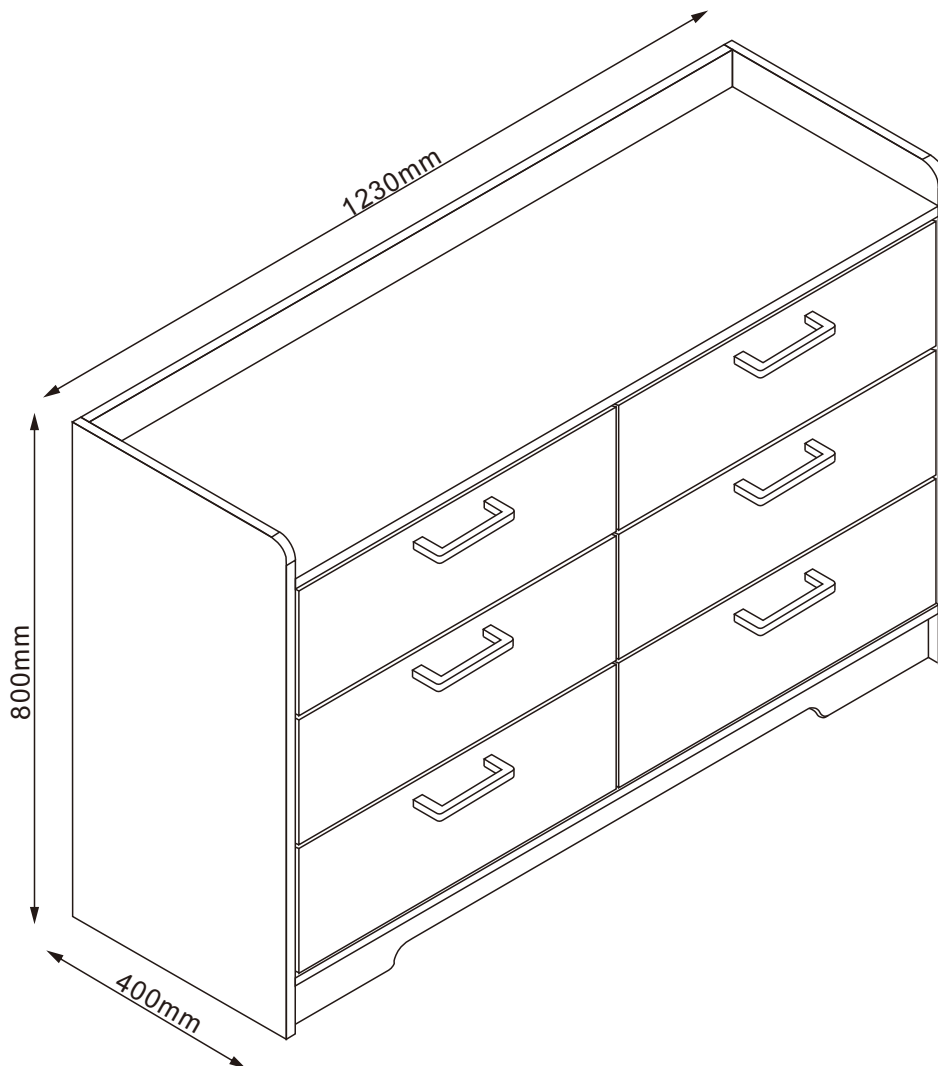


ASSEMBLY INSTRUCTION

CALDWELL

6 Drawer Dresser

ITEM CODE 75119

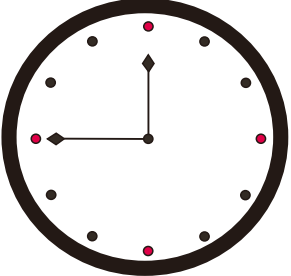
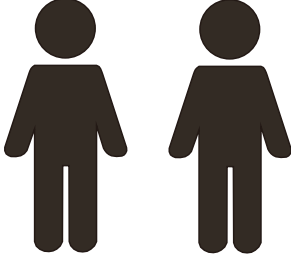



Imported by JWA Furniture Pty Ltd, Qld, Brisbane Australia.
For any assistance with assembly or for missing parts please refer to your receipt

PRE-ASSEMBLY PREPARATION

Before you start:

1. Choose a clean, level, spacious assembly area. Avoid hard surfaces that may damage the product
2. Take care when lifting. Product should be assembled as near as possible to the point of use
3. Ensure that you have all required contents for complete assembly
4. Always read the assembly instructions carefully before beginning assembly.
5. Keep all hardware parts and packaging out of reach of small children.
6. Do not over tighten the screws and bolts as this may damage the threads
7. Assembly is to be carried out by a competent adult(s) ONLY
8. During assembly, children should be kept away from the product due to possible risk to injury.
9. Do not use this item if any components are missing or damaged.
10. Please keep the instructions for future reference.

		
<p>Allow 45min</p>	<p>For 2 person</p>	<p>Additional tools required</p>



TIPPING WARNING





Serious or fatal injuries may occur from furniture toppling over. To help avoid this please follow the below recommendations;

- Install the provided "Tipping Kit" as per the instructions
- Never allow children to climb on or hang off of any part of this product
- Unless specifically designed to accommodate, do not set TVs or other heavy objects on top of this product

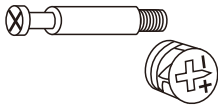


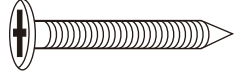
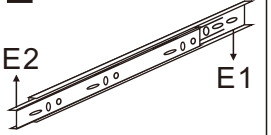
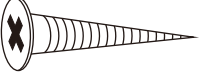

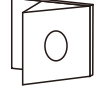
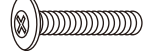
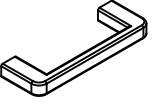

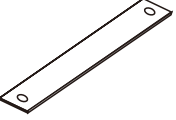
IF this product has drawers:

- Place the heaviest items in lowest drawers
- Do not open more than 1 drawer at a time as this may cause the product to become unbalanced
- Do not tamper with or remove any drawer interlocking/running system

Note: The use of the provided "Tipping Kit" may reduce but not necessarily eliminate the risk of furniture toppling over. Please use this product with caution.

This is a permanent label. Do not attempt to remove!

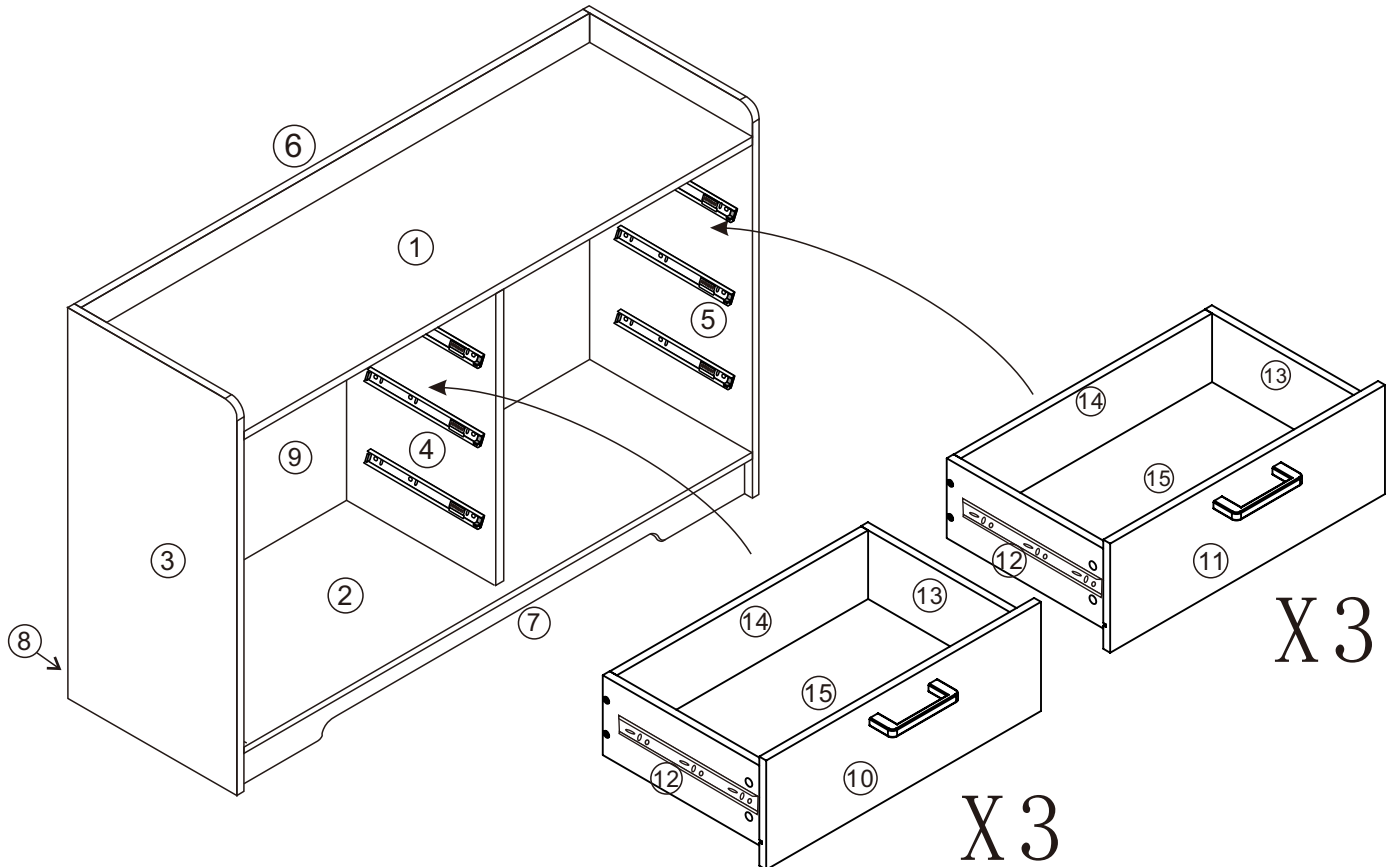
PARTS LIST

<p>A</p>  <p>54pcs</p>	<p>B</p>  <p>8X30mm 12pcs</p>	<p>C</p>  <p>ST3.5X14mm 50pcs</p>	<p>D</p>  <p>ST5X50mm 24pcs</p>	<p>E</p>  <p>E2 E1 12pcs</p>
<p>F</p>  <p>ST3.5X18mm 8pcs</p>	<p>G</p>  <p>2pcs</p>	<p>H</p>  <p>8pcs</p>	<p>I</p>  <p>M4X18mm 12pcs</p>	<p>J</p>  <p>6pc</p>
<p>K</p>  <p>ST4X25mm 2pcs</p>	<p>L</p>  <p>2pcs</p>			

1	Top panel
2	Bottom panel
3	Left side panel
4	Middle panel
5	Right side panel

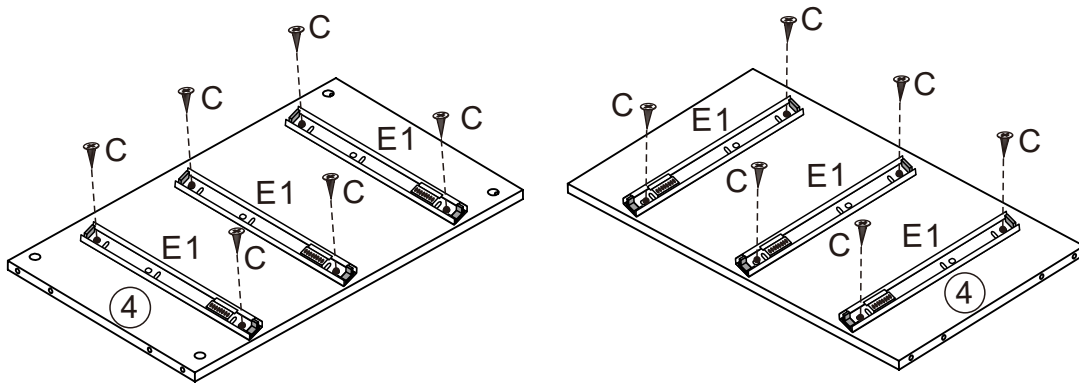
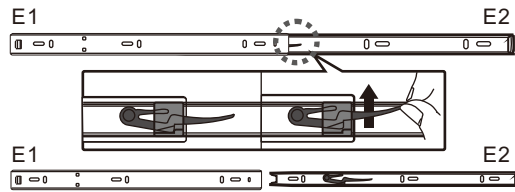
6	Top baffle panel
7	Front foot panel
8	Back foot panel
9	Back panel
10	Left drawer front panel

11	Right drawer front panel
12	Drawer left side panel
13	Drawer right side panel
14	Drawer back panel
15	Drawer bottom panel



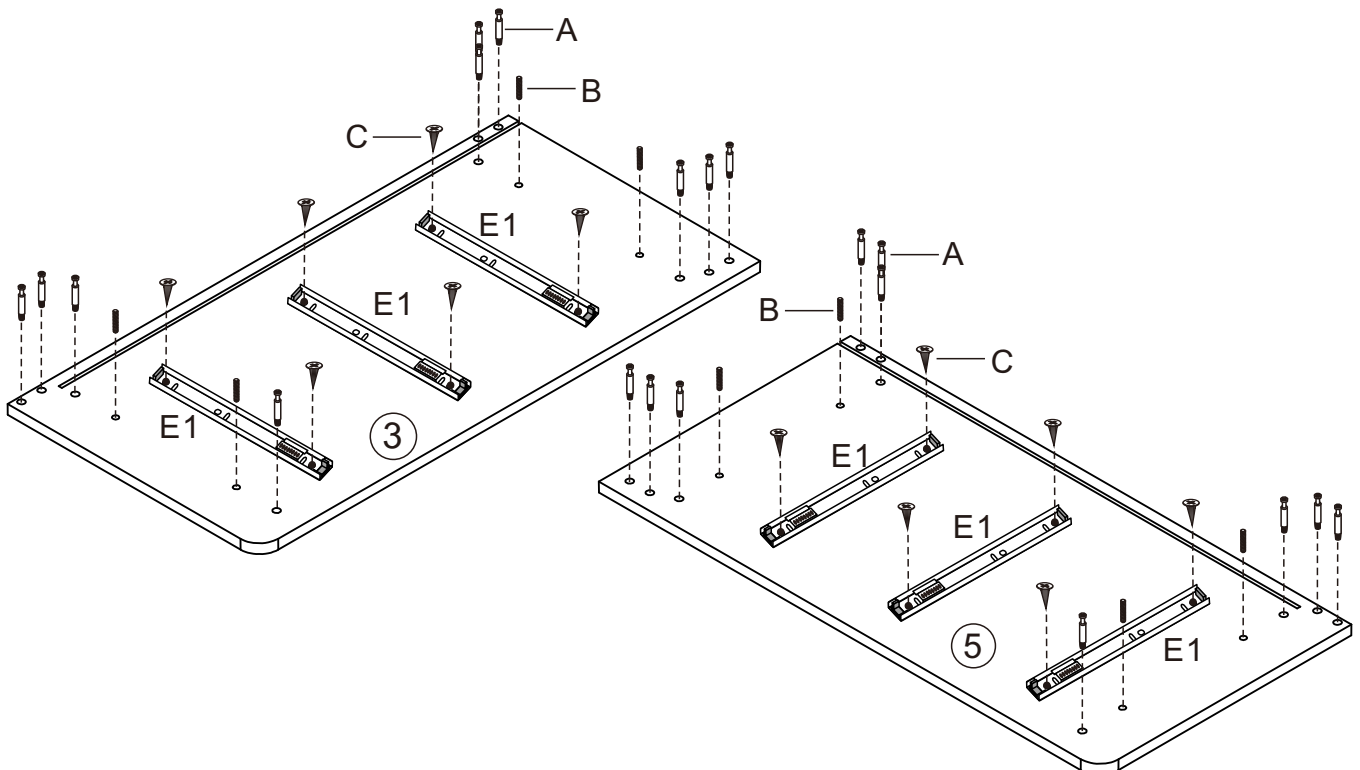
STEP 1:

1. Separate part E1 and E2 (runners) as shown below.
2. Attach part E1 to the front and back of panel 4 with part C.



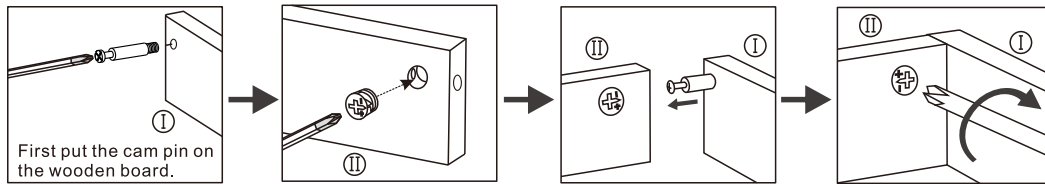
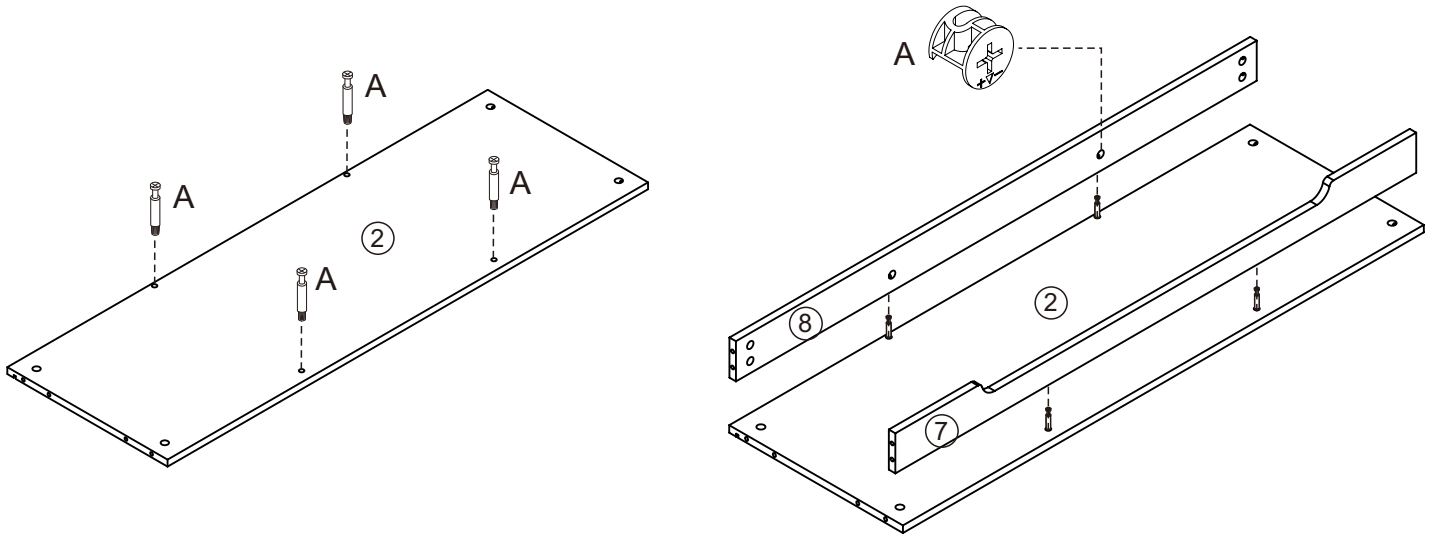
STEP 2:

1. Attach part E1 to panels 3 and 5 with part C.
2. Insert parts A and B into panels 3 and 5.



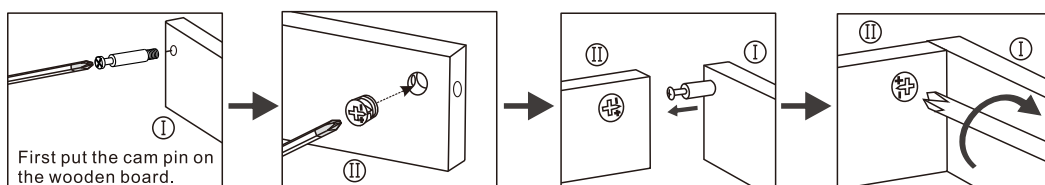
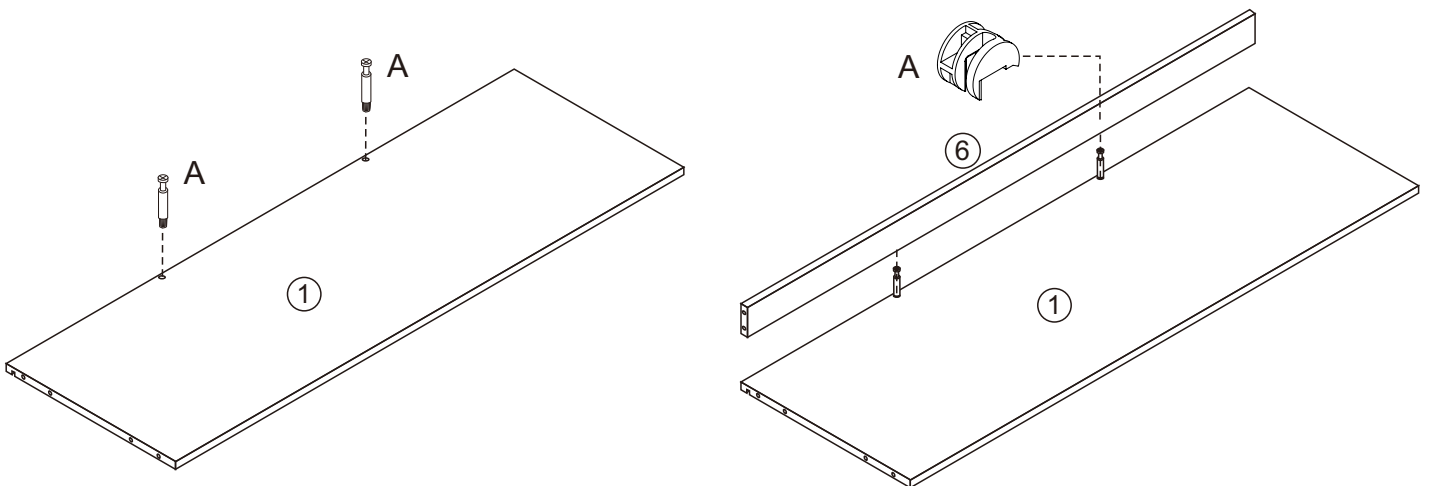
STEP 3:

1. Insert part A into panel 2.
2. Attach panels 7 and 8 to panel 2 with part A.



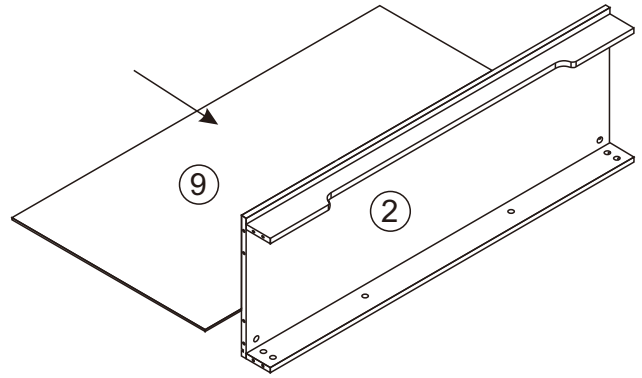
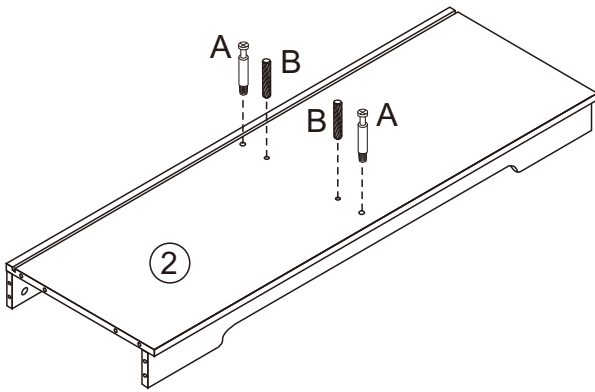
STEP 4:

1. Insert part A into panel 1.
2. Attach panel 6 to panel 1 with part A.



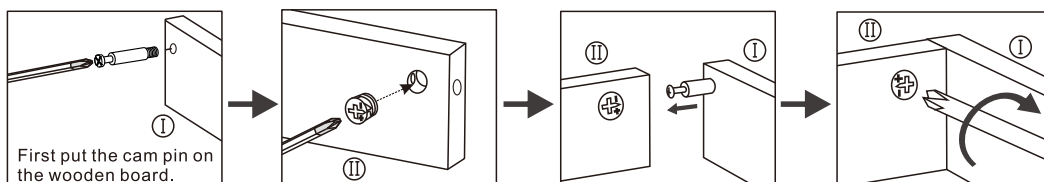
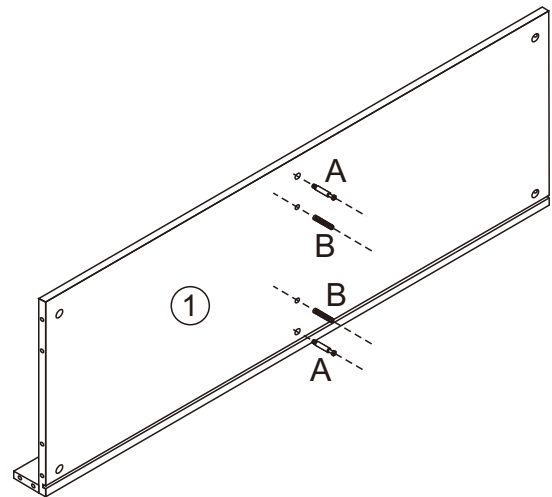
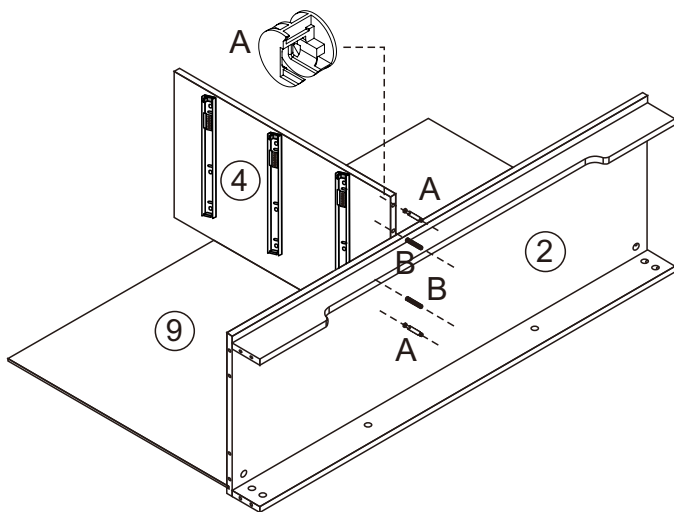
STEP 5:

1. Insert parts A and B into panel 2.
2. Slide panel 9 along slot of panel 2.



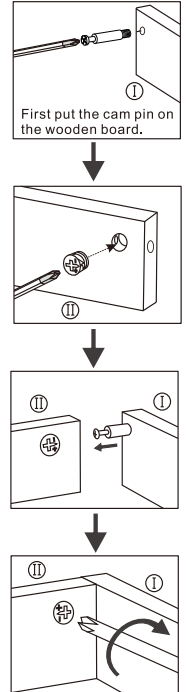
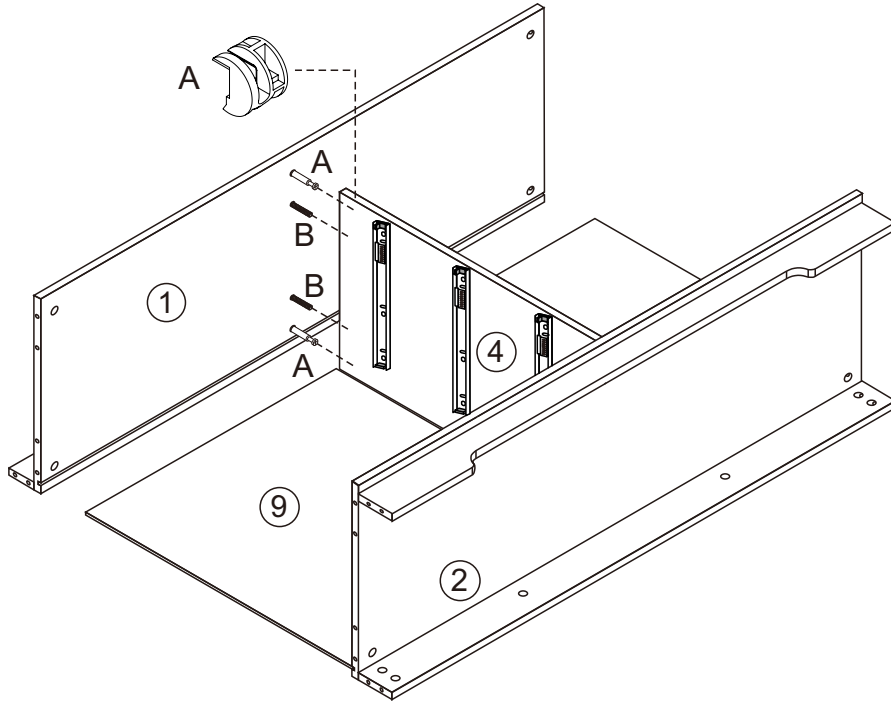
STEP 6:

1. Attach panel 4 to panel 2 with parts A and B.
2. Insert parts A and B into panel 1.



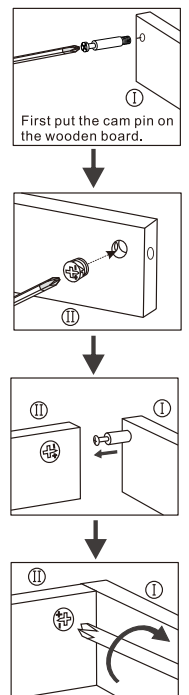
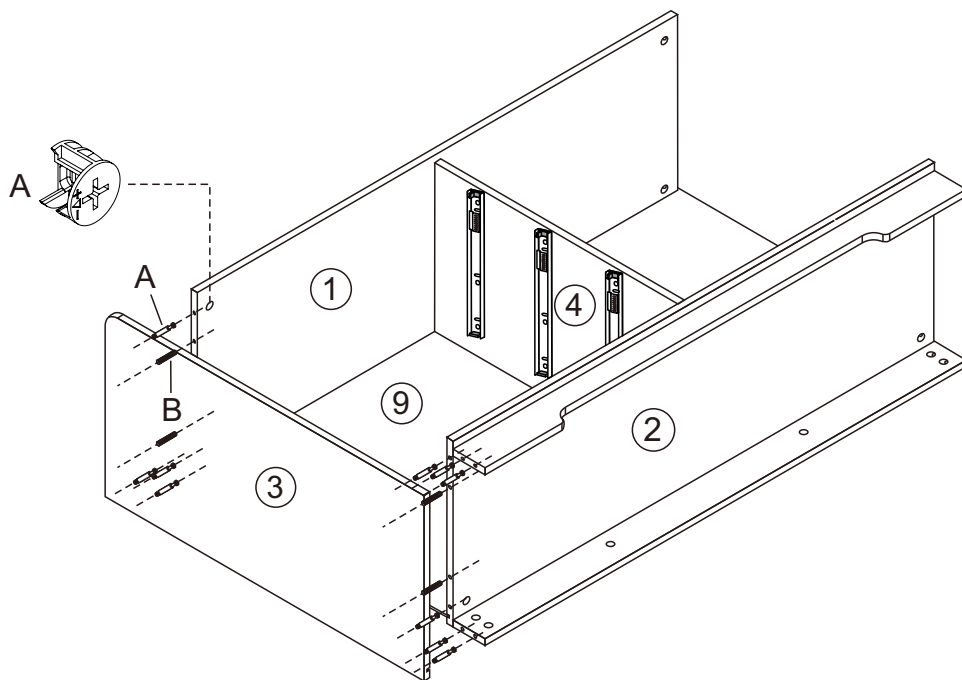
STEP 7

1. Attach panel 1 to panel 4 with parts A and B.



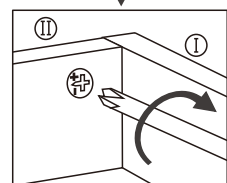
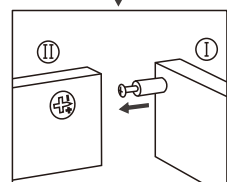
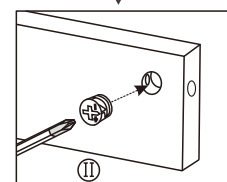
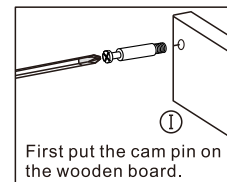
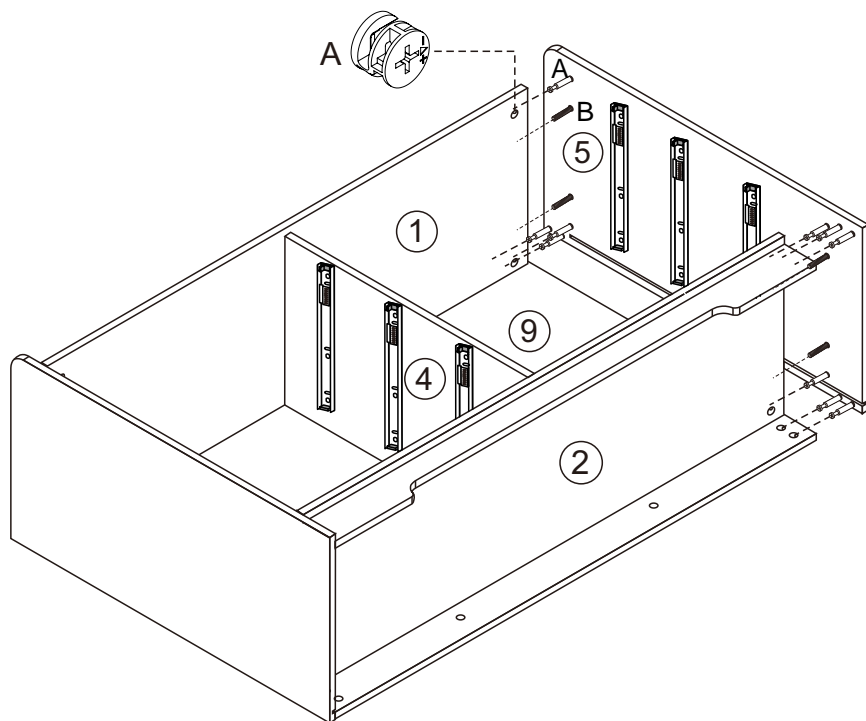
STEP 8

1. Attach panel 3 to panels 1 and 2 with parts A and B.



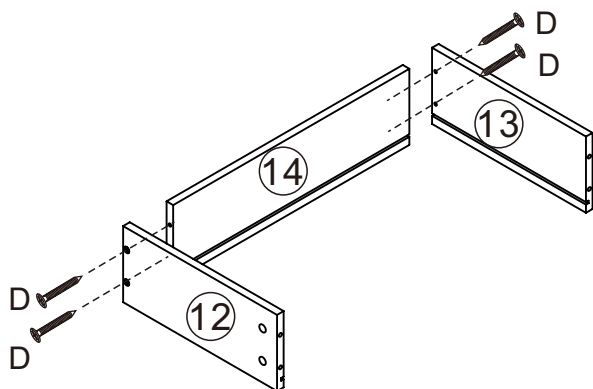
STEP 9

1. Attach panel 5 to panels 1 and 2 with parts A and B.

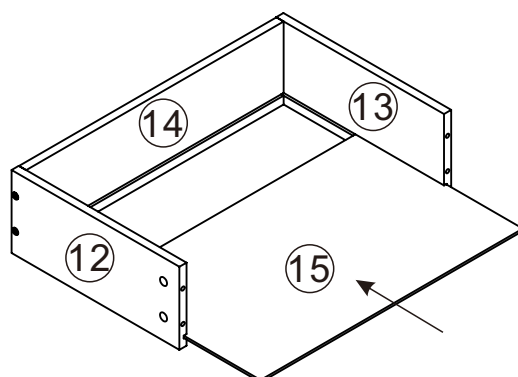


STEP 10

1. Attach panels 12 and 13 to panel 14 with part D.
2. Slide panel 15 along slots of panels 12 and 13.



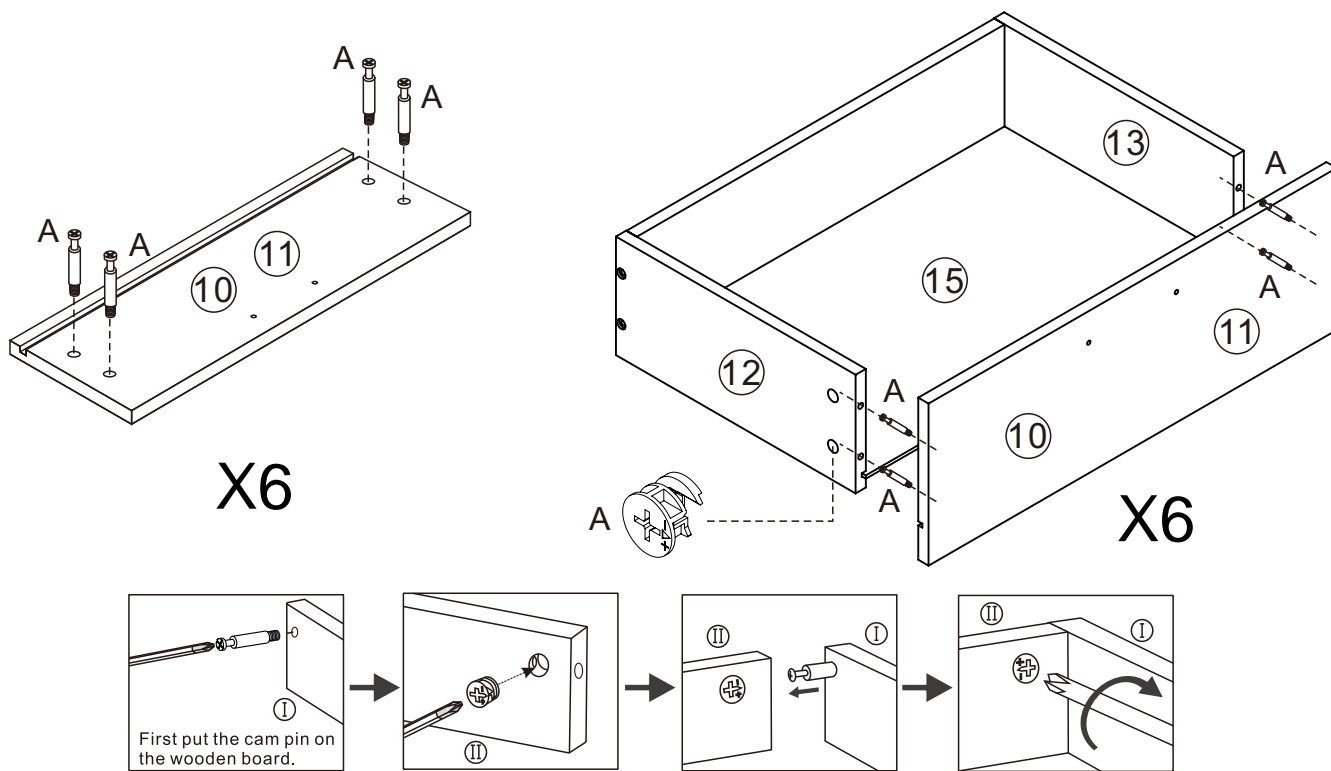
X6



X6

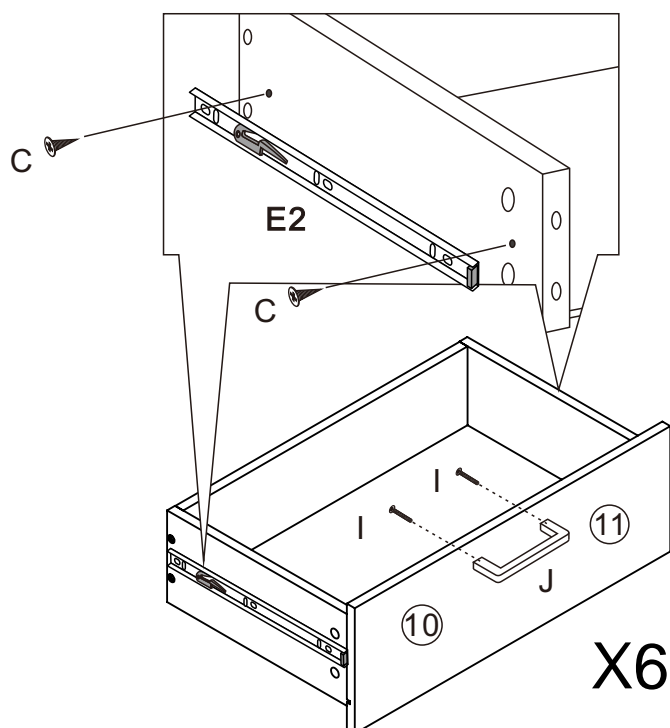
STEP 11

1. Insert part A into panels 10 and 11.
2. Attach panels 10 and 11 to panels 12 and 13 with part A.



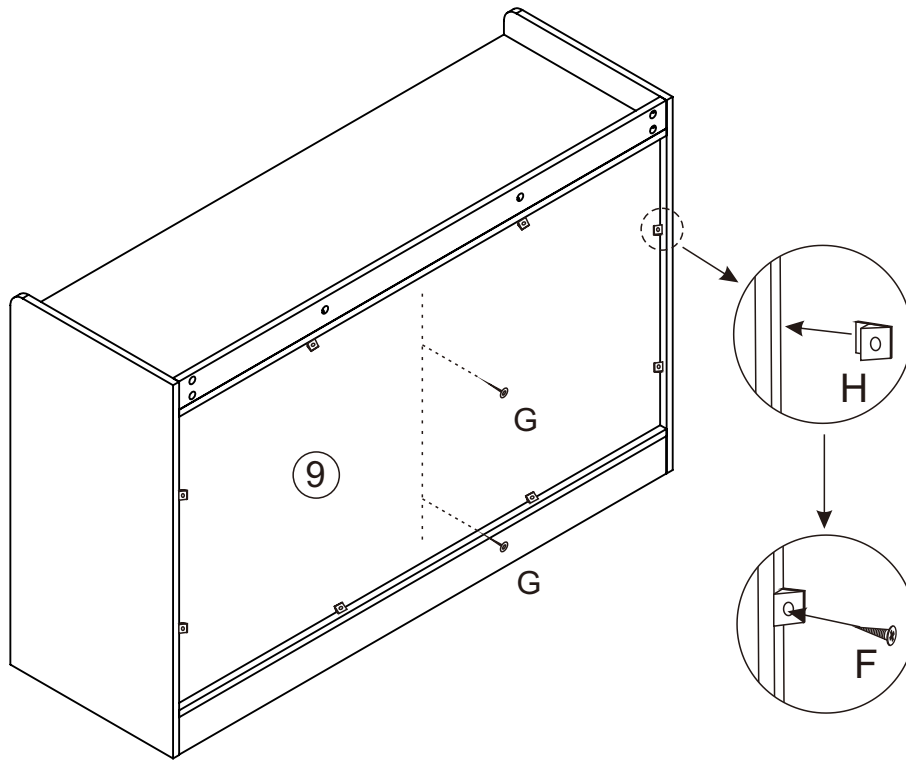
STEP 12

1. Attach part E2 to panels 12 and 13 with part C.
2. Insert part J into front of panels 10 and 11 with part I.



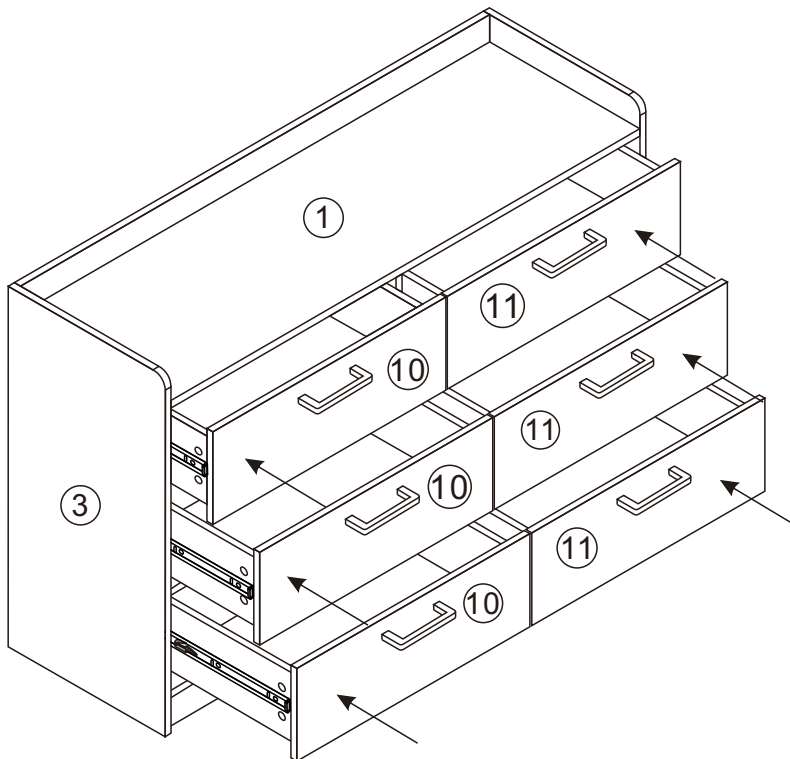
STEP 13

1. Insert part H into panel 9 with part F.
2. Insert part G into the corresponding hole of panel 9.



STEP 14

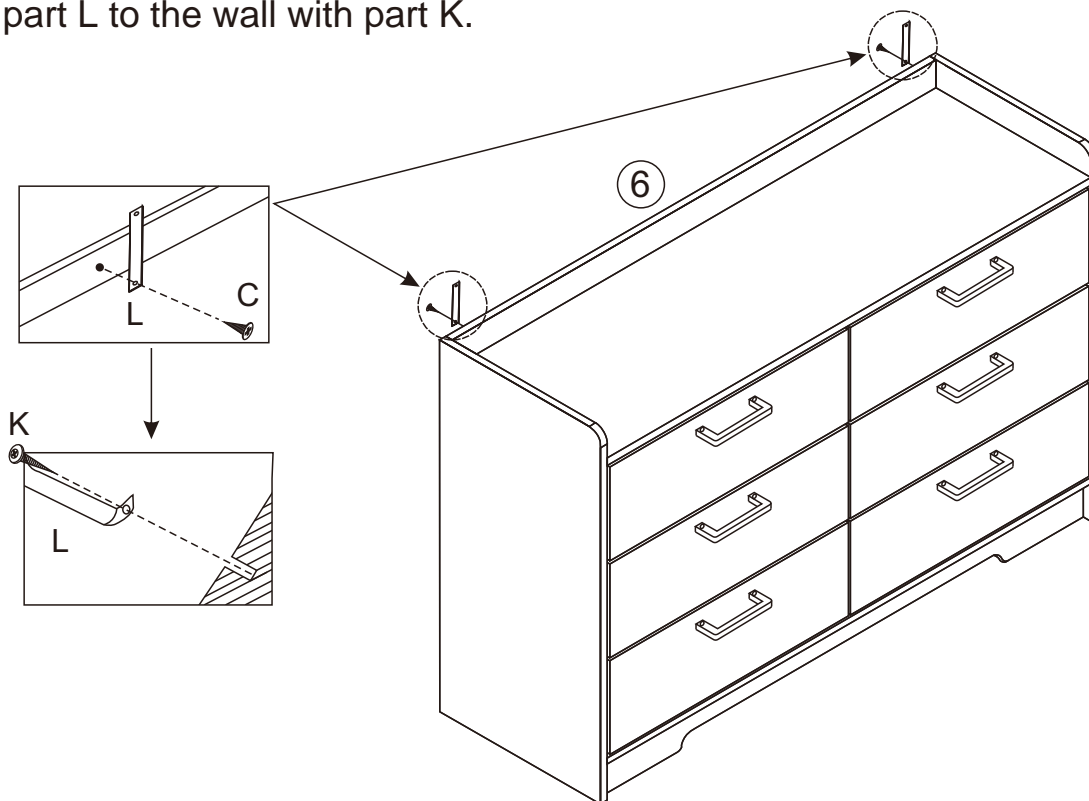
1. Install drawers 10 and 11 into the cabinet. Ensure runners are correctly aligned.



STEP 15

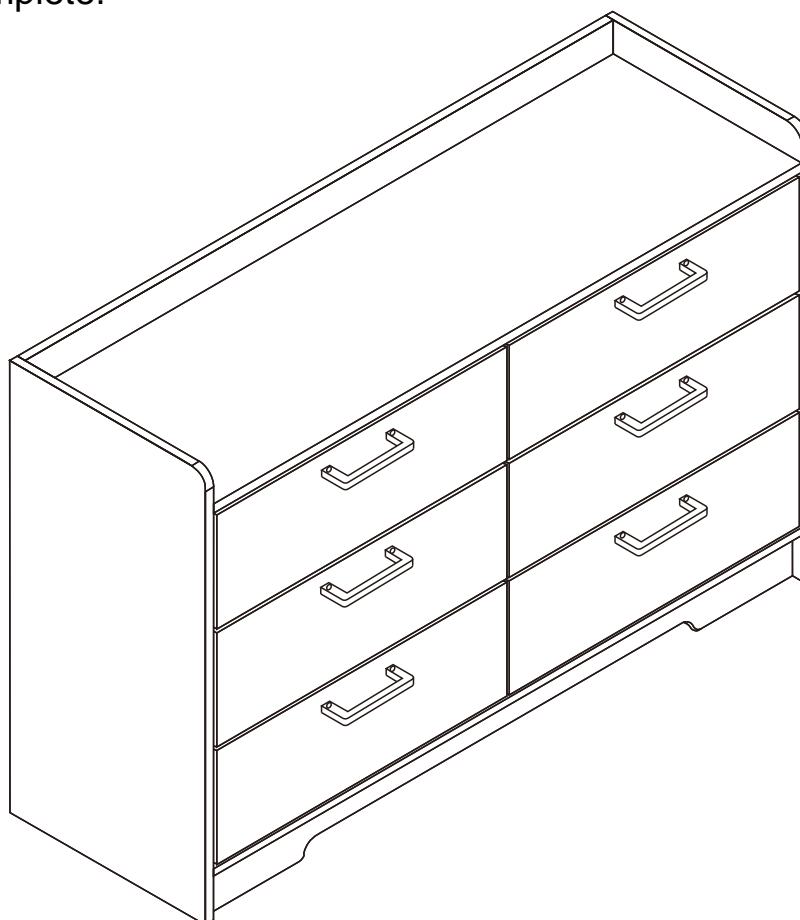
Install Tip Kit

1. Attach part L to the back of panel 6 with part C.
2. Attach part L to the wall with part K.



STEP 16

Assembly complete!



To protect your furniture, we suggest the following:

- Avoid placing your furniture in direct sunlight.
- Do not place furniture directly under windows.
- Do not place sharp materials (knife, fork, etc.) directly onto your furniture as sharp material may scrape and damage the finish.
- Do not place material with high temperature directly onto the surface of your furniture.
- Clean up spills quickly. Water left over a prolonged period of time may cause damage. Alcohol, perfume, nail polishes, aftershave and some medication may cause severe finish damage if not cleaned immediately.
- Use a clean, soft, dry, lint free absorbent cloth to clean your furniture. Do not use any detergent as they may contain ingredients that may react and damage the finish.

NOTE: If the above care advise is not adhered to your product warranty may become void